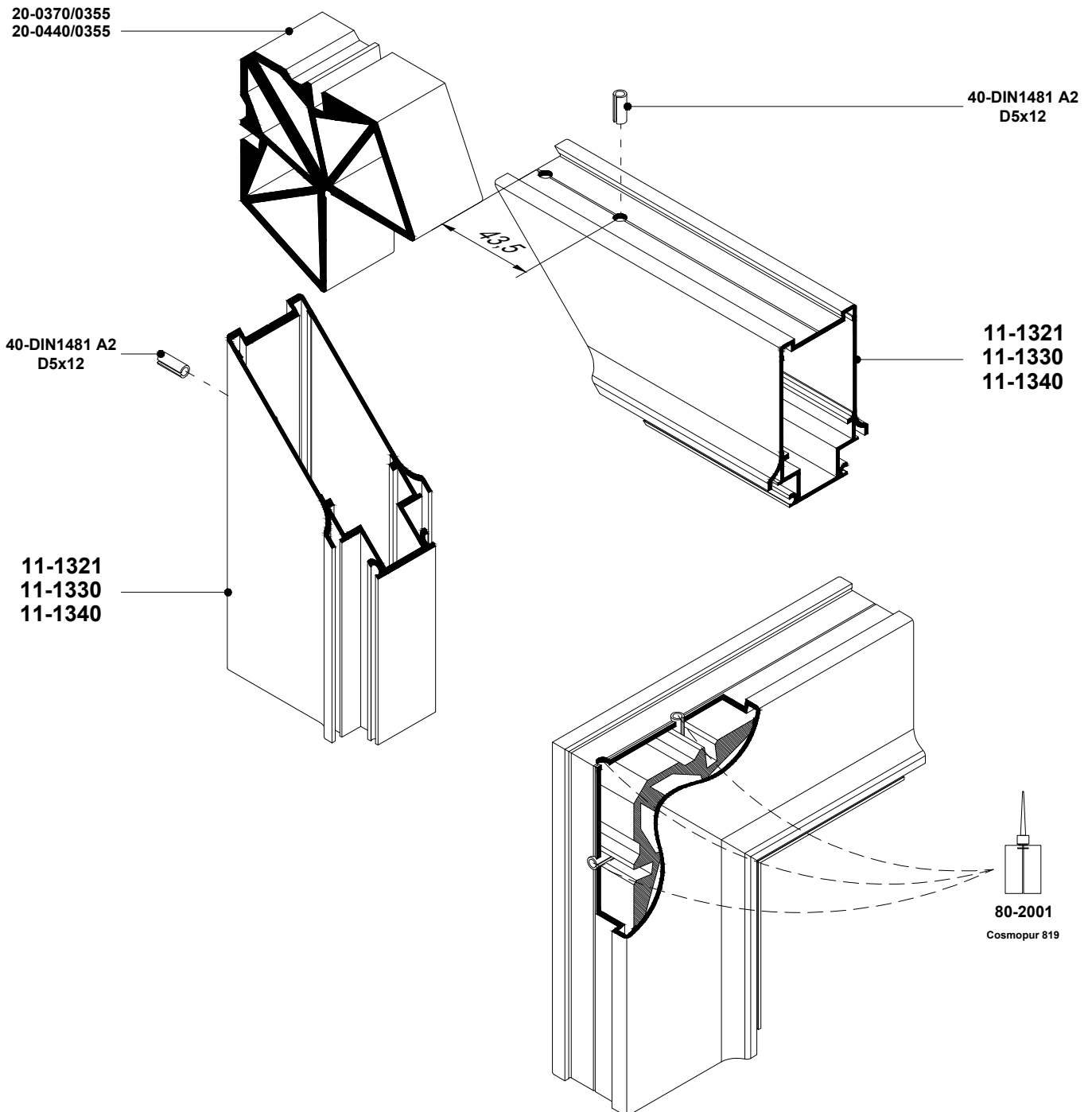


### Fixing with pins

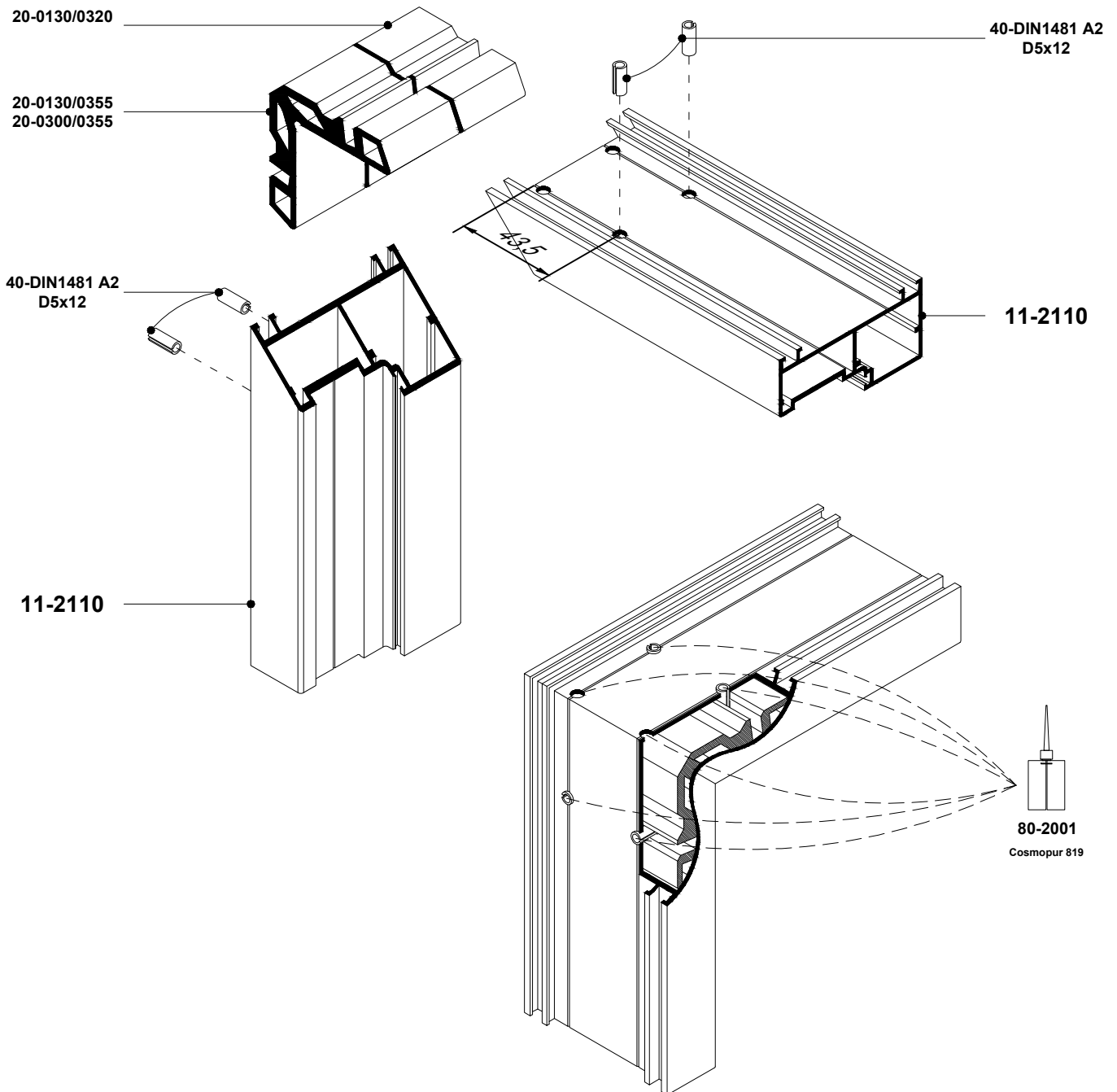


1. Put connector into profile.
2. Hammer pins in with 2-3 stages.  
Place the pin's slit to door plane side.
3. Adjust profiles alignment.
4. Inject glue using aperture and pins with 2-4 seconds.
5. Leave door unit for 12 hours until glue became hard (use glue instruction).

Do not make any operation before glue became hard!



### Fixing with pins

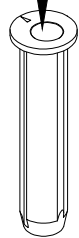
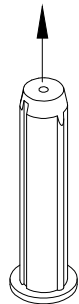
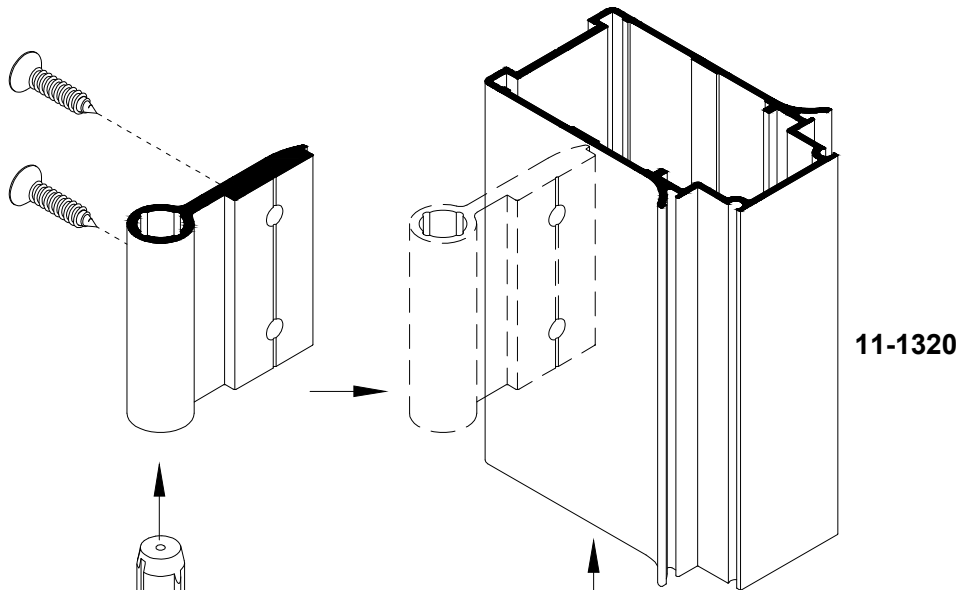


1. Put connector into profile.
2. Hammer pins in with 2-3 stages.  
Place the pin's slit to door plane side.
3. Adjust profiles alignment.
4. Inject glue using apperture and pins  
with 2-4 seconds.
5. Leave door unit for 12 hours until  
glue became hard (use glue instruction).

Do not make any operation before glue became hard!

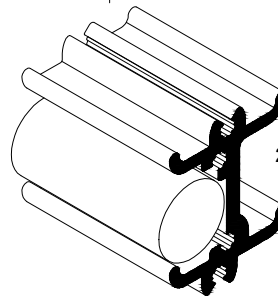


43-DIN7983C A2  
4,8x22 TX25  
Countersunk head screw



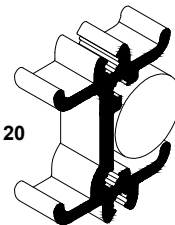
52-0200

20-5010/0450

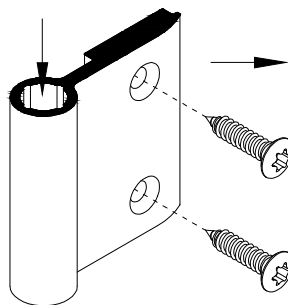


20-5010/0120

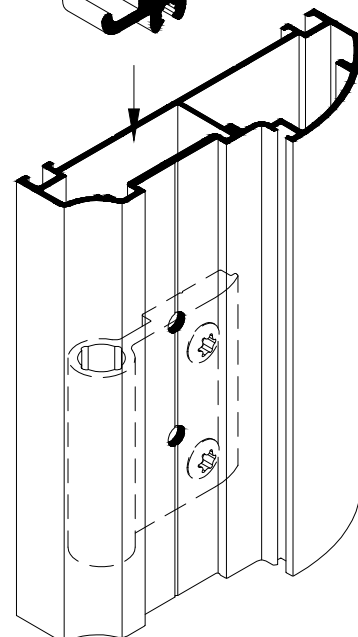
52-0200



1. Drill an aperture for hinger binding.
2. Slice a foamed cord according to binding size.
3. Put the binding into the position. Do not install binding without foamed cord, you will unable to unscrew screws without missing binding position. You will unable to reinstall it inside completed door unit.
4. Mount hinges wings to door frame and door leaf.

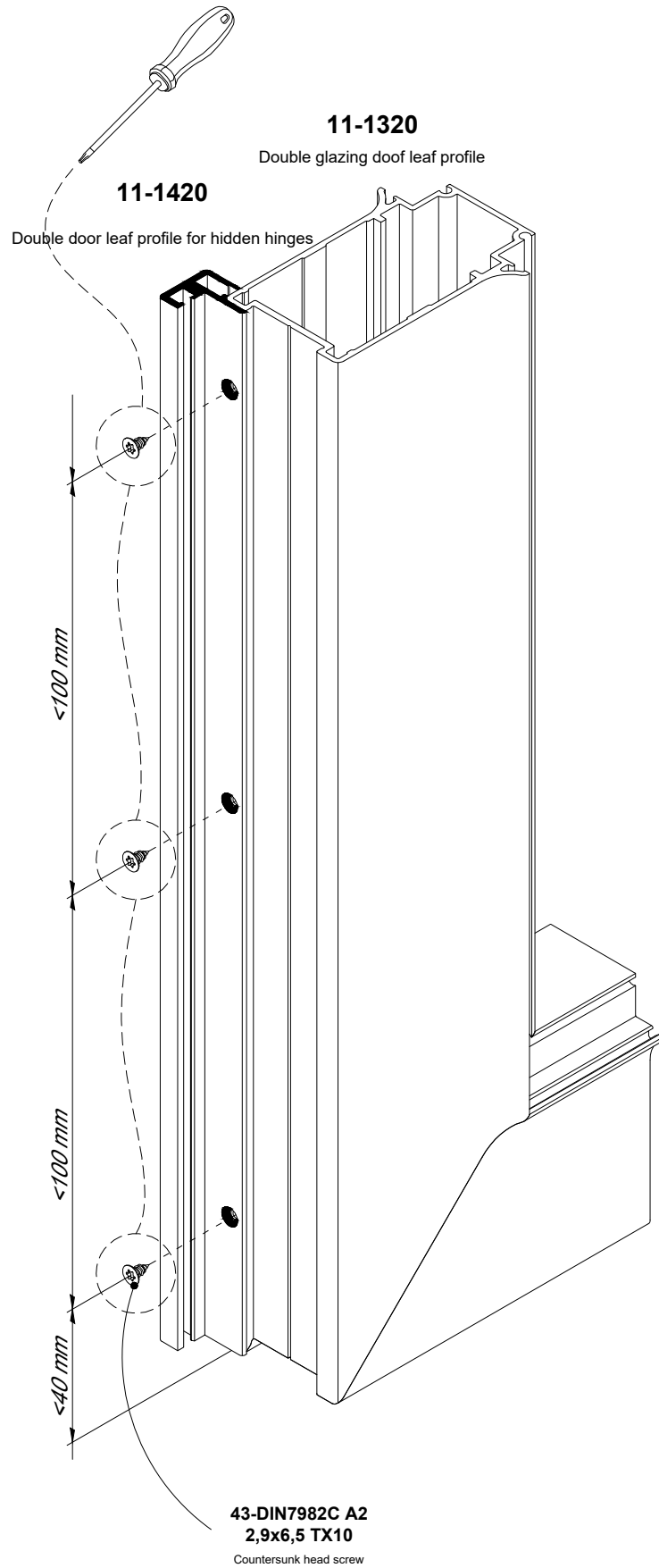


43-DIN7983C A2  
4,8x22 TX25  
Countersunk head screw



11-1110





Note:

**DIN7982C A2 2.9x6.5** screws only manual installation is available! Do not use screw-driver!



